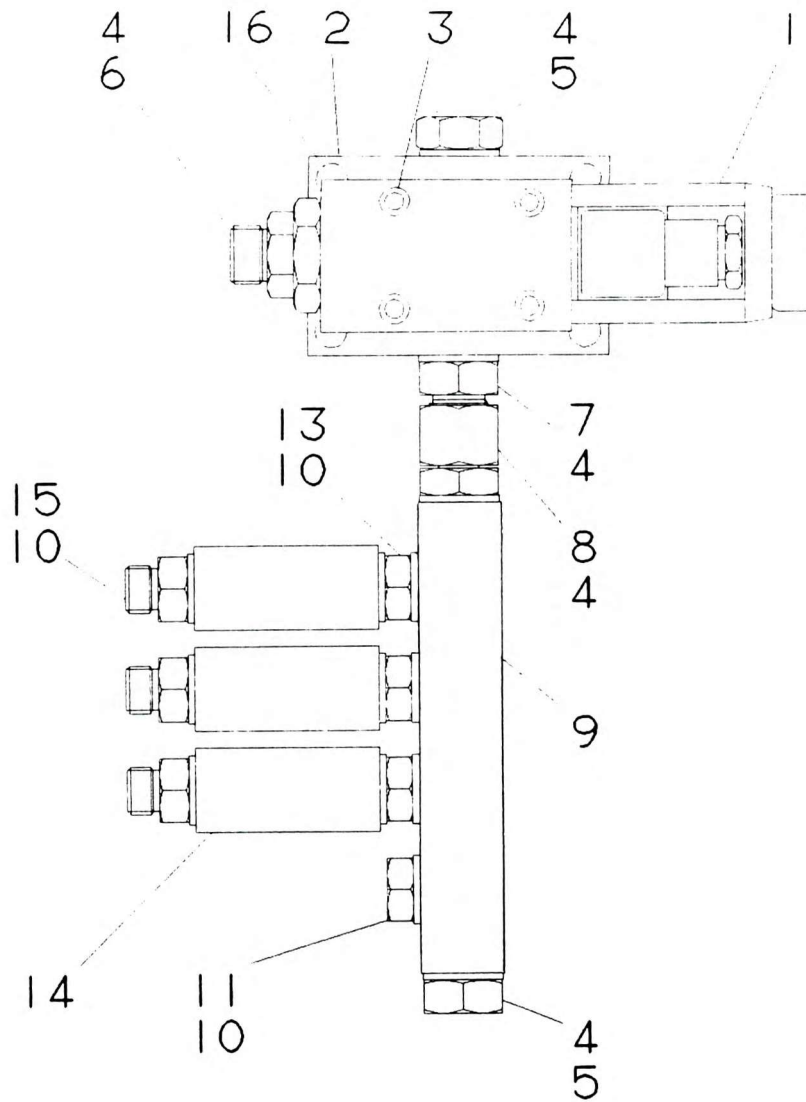


DUMP VALVE ASSEMBLY



NO.	PART NO.	QTY.	DESCRIPTION	NO.	PART NO.	QTY.	DESCRIPTION
1 +	8353988	1	Control Valve (Control Valve)	16	7097612	4	Socket Head Cap Screw M5 x 30 Long
2 %	6-620-990061	1	Solenoid Subplate	% To Crane Serial No. 50530 part no. was 8592964			
3	7097614	4	Screw Hex Socket Cap Head M5 x 40mm	+ See further breakdown in this group			
4	7355204	6	Bonded Seal $\frac{3}{8}$ " BSP				
5	7-709-990044	3	Plug $\frac{3}{8}$ " BSP				
6	7-443-990912	1	Adaptor $\frac{3}{8}$ " BSP/ORFS				
7	35809	1	Adaptor $\frac{3}{8}$ " x $\frac{3}{8}$ " BSP				
8	7-443-990893	1	Swivel Coupling $\frac{3}{8}$ " BSP				
9	6-620-990022	1	Drain Manifold Block				
10	7355201	10	Bonded Seal $\frac{1}{4}$ " BSP				
11	14059	1	Plug - Blank				
13	35808	3	Adaptor $\frac{1}{4}$ " x $\frac{1}{4}$ " BSP				
14	8361392	3	Valve Non Return				
15	7-443-990911	3	Adaptor $\frac{1}{4}$ " BSP/ORFS				